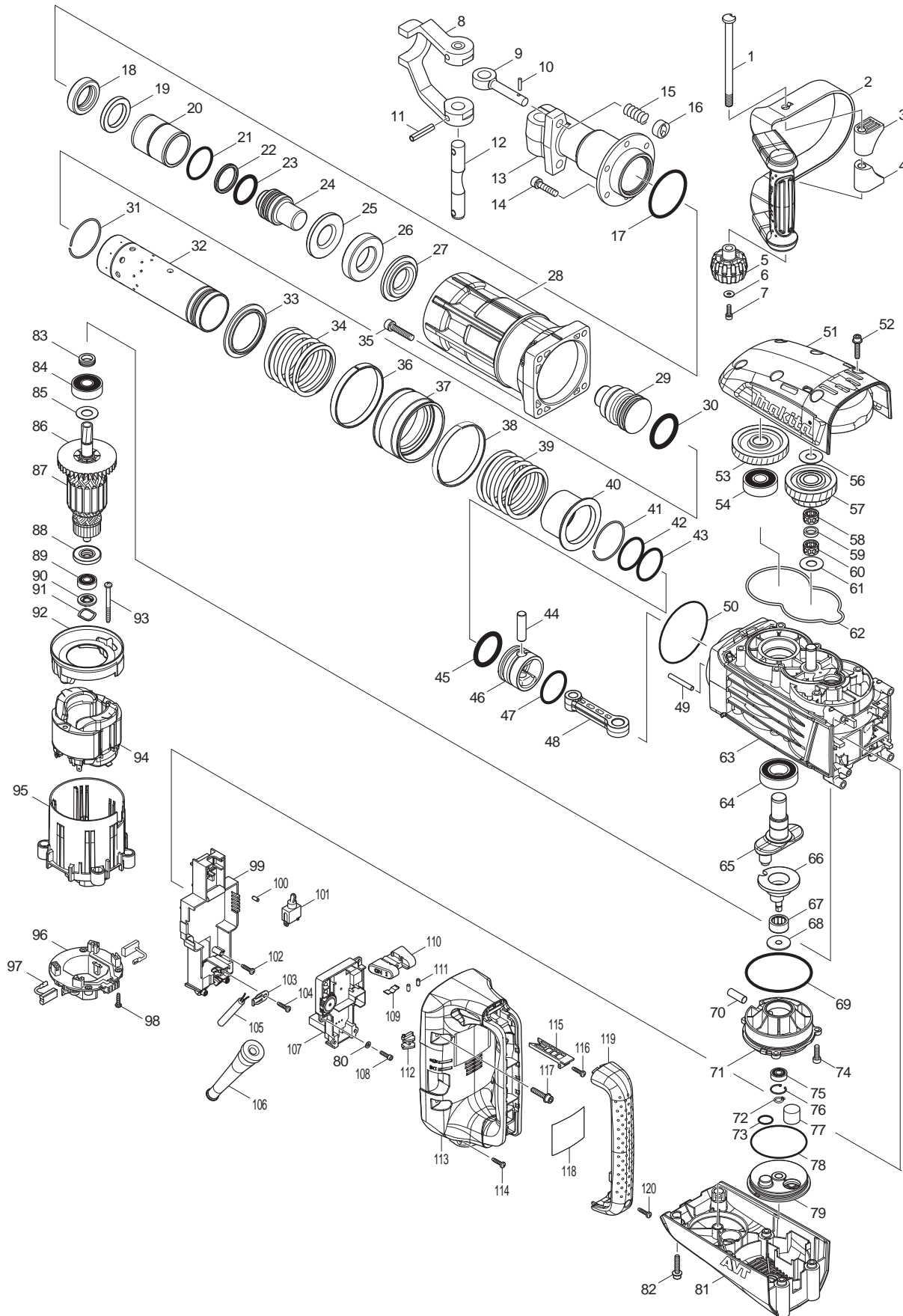




09 - 2010
HM1317CB
DEMOLITION HAMMER



Item No	Type	Ref	Part No	Description (*See Service Changes)	Qty	Unit
1			266512-5	SET BOLT M10X142	1	PC.
2			163506-0	SIDE HANDLE	1	PC.
3			451331-4	HANDLE BASE	1	PC.
4			451331-4	HANDLE BASE	1	PC.
5			252654-1	THUMB NUT M10	1	PC.
6			253194-2	FLAT WASHER 5	1	PC.
7			922221-3	HEX. SOCKET HEAD BOLT M5X16	1	PC.
8			325895-3	TOOL RETAINER	1	PC.
9			322477-2	TOOL RETAINER POLE	2	PC.
10			256219-1	PIN 4	2	PC.
11			951272-9	SPRING PIN 8-40	2	PC.
12			324238-6	TOOL RETAINER SHAFT	1	PC.
13			331872-5	TOOL HOLDER	1	PC.
14			266011-7	HEX. SOCKET HEAD BOLT M8X35	6	PC.
15			233083-7	COMPRESSION SPRING 12	2	PC.
16			322560-5	RETAINER RING	2	PC.
17			213720-9	O RING 67	1	PC.
18			262151-9	URETHAN RING 32	1	PC.
19			257301-9	RING 35	1	PC.
20			257788-5	SLEEVE 43	1	PC.
21			213569-7	O RING 45	1	PC.
22			213192-8	X-RING 36	1	PC.
23			213150-4	O-RING 36	1	PC.
24			325687-0	IMPACT BOLT	1	PC.
25			325683-8	WASHER 30	1	PC.
26			424206-0	RUBBER RING 36	1	PC.
27			325684-6	SHOULDER RING 32	1	PC.
28			318458-2	BARREL	1	PC.
29			325685-4	STRIKER	1	PC.
30			213193-6	O-RING 42	1	PC.
31			233977-6	RING SPRING 55	1	PC.
32			331870-9	CYLINDER 52	1	PC.
33			451168-9	SHOULDER SLEEVE	1	PC.
34			234111-1	COMPRESSION SPRING 66	1	PC.
35			265367-5	HEX. SOCKET HEAD BOLT M8X40	4	PC.
36			451169-7	WEIGHT GUIDE	1	PC.
37			331867-8	COUNTER WEIGHT	1	PC.
38			451169-7	WEIGHT GUIDE	1	PC.
39			234111-1	COMPRESSION SPRING 66	1	PC.
40			331868-6	SLIDE SLEEVE	1	PC.
41			233977-6	RING SPRING 55	1	PC.
42			213569-7	O RING 45	1	PC.
43			213569-7	O RING 45	1	PC.
44			256238-7	PIN 12	1	PC.
45			213193-6	O-RING 42	1	PC.
46			318459-0	PISTON	1	PC.
47			213569-7	O RING 45	1	PC.
48			451164-7	CONNECTING ROD	1	PC.
49			268241-6	PIN 6	1	PC.
50			213806-9	O RING 90	1	PC.
51			318462-1	GEAR COVER	1	PC.
52			266499-1	H.S HEAD BOLT M6X30 WITH GM	6	PC.
53			227709-1	HELICAL GEAR 47	1	PC.

Item No	Type	Ref	Part No	Description (*See Service Changes)	Qty	Unit
54			211306-3	BALL BEARING 6204LLB	1	PC.
56			267166-1	FLAT WASHER 14	1	PC.
57			226156-3	GEAR COMPLETE 31-43	1	PC.
58			212159-3	NEEDLE CAGE 1412	1	PC.
59			262157-7	NYLON RING 14	1	PC.
60			212159-3	NEEDLE CAGE 1412	1	PC.
61			267166-1	FLAT WASHER 14	1	PC.
62			424207-8	SEAL RING	1	PC.
63			140056-2	CRANK HOUSING COMPLETE	1	PC.
64			211373-8	BALL BEARING 6205LLU	1	PC.
65			331871-7	CRANK SHAFT	1	PC.
66			331869-4	COUNTER SHAFT	1	PC.
67			212264-6	NEEDLE ROLLER BEARING 1813	1	PC.
68			325686-2	SHOULDER WASHER 8	1	PC.
69			213809-3	O RING 87	1	PC.
70			268240-8	PIN 10	1	PC.
71			140057-0	BEARING BOX COMPLETE	1	PC.
72			961004-6	RETAINING RING S-8	1	PC.
73			213261-5	O RING 17	1	PC.
74			265844-7	HEX. SOCKET HEAD BOLT M6X20	3	PC.
75			211032-4	BALL BEARING 608ZZ	1	PC.
76			962112-6	RETAINING RING R-22	1	PC.
77			443127-7	FILTER	1	PC.
78			213758-4	O RING 74	1	PC.
79			451166-3	CRANK CAP COVER	1	PC.
80	1		941051-3	* FLAT WASHER 4	2	PC.
	2		346546-5	* PLATE	2	PC.
81			451167-1	REAR COVER	1	PC.
82			266499-1	H.S HEAD BOLT M6X30 WITH GM	6	PC.
83			331855-5	SEALING SCREW	1	PC.
84			211249-9	BALL BEARING 6302LLU	1	PC.
85			267397-2	FLAT WASHER 15	1	PC.
86			240003-4	FAN 80	1	PC.
87			517785-6	ARMATURE ASSEMBLY 100-115V	1	PC.
		INC.		Item No. 84-86, 88, 89		
88			681642-5	INSULATION WASHER	1	PC.
89			210059-1	BALL BEARING 6000DDW	1	PC.
90			451107-9	WASHER GUIDE	1	PC.
91			267809-5	WAVE WASHER 19	1	PC.
92			451111-8	BAFFLE PLATE	1	PC.
93			266044-2	TAPPING SCREW 5X60	2	PC.
94			636331-7	FIELD 115V	1	PC.
95			451117-6	MOTOR HOUSING	1	PC.
96			638447-4	BRUSH HOLDER UNIT	1	PC.
97	1		194990-8	CARBON BRUSH CB-171, 2PC/SET	1	SET
	2		195845-0	CARBON BRUSH CB-175, 2PC/SET	1	SET
98			265995-6	TAPPING SCREW 4X18	4	PC.
99			158986-3	* CONTROLLER COVER COMPLETE	1	PC.
100			263027-3	RUBBER PIN 4	1	PC.
101			651423-1	SWITCH, SINGLE	1	PC.
102			265995-6	* TAPPING SCREW 4X18	2	PC.
103			687683-9	STRAIN RELIEF	1	PC.
104			265995-6	TAPPING SCREW 4X18	1	PC.

Item No	Type	Ref	Part No	Description (*See Service Changes)	Qty	Unit
105			664290-5	CORD W/PLUG 2P-14-5.0M	1	PC.
106			682578-1	CORD GUARD	1	PC.
107			631919-8	* CONTROLLER	1	PC.
108			265490-6	* HEX. SOCKET HEAD BOLT M4X16	2	PC.
109			232209-8	LEAF SPRING	1	PC.
110			451112-6	SLIDE LEVER	1	PC.
111			263027-3	RUBBER PIN 4	2	PC.
112			451105-3	LENS	1	PC.
113			451118-4	HANDLE	1	PC.
114			265995-6	TAPPING SCREW 4X18	1	PC.
115			451106-1	SWITCH LEVER	1	PC.
116			265995-6	TAPPING SCREW 4X18	1	PC.
117			266499-1	H.S HEAD BOLT M6X30 WITH GM	4	PC.
118			867310-6	HM1317CB NAME PLATE	1	PC.
119			451119-2	HANDLE COVER	1	PC.
120			265995-6	TAPPING SCREW 4X18	2	PC.
121			442180-0	* ADHESIVE TAPE, BOTH SIDE (Added)	1	PC.
122			126091-4	* CONTROLLER ASSY (Added)	1	PC.
		INC.		* Item No. 99, 102, 107, 121		
200			652008-6	PAN HEAD SCREW M3.5X7	2	PC.
300			870499-1	CARTON F/HM1317CB	1	PC.
<u>ACCESSORIES</u>		- See Catalogue or Visit www.makita.ca for optional accessory -				
A01			751420-A	20" MOIL POINT 1-1/8" HEX	1	PC.
A02			824897-1	PLASTIC CARRYING CASE	1	PC.
		INC.	162271-8	LATCH	2	PC.
A03			A-90582	HAMMER GREASE 30CC	1	PC.
A04			195103-4	HAMMER SERVICE KIT	1	PC.
		INC.	181490-7	HAMMER GREASE 30G (Use A-90582 for replacement)	2	PC.
		INC.	195845-0	CARBON BRUSH CB-175, 2PC/SET	1	SET
		INC.	213150-4	O RING 36	1	PC.
		INC.	213192-8	X RING 36	1	PC.
		INC.	213193-6	O RING 42	2	PC.
		INC.	213569-7	O RING 45	1	PC.
A05			751106-A	TENT STAKE DRIVER 2-1/2"X5-1/2	1	PC.

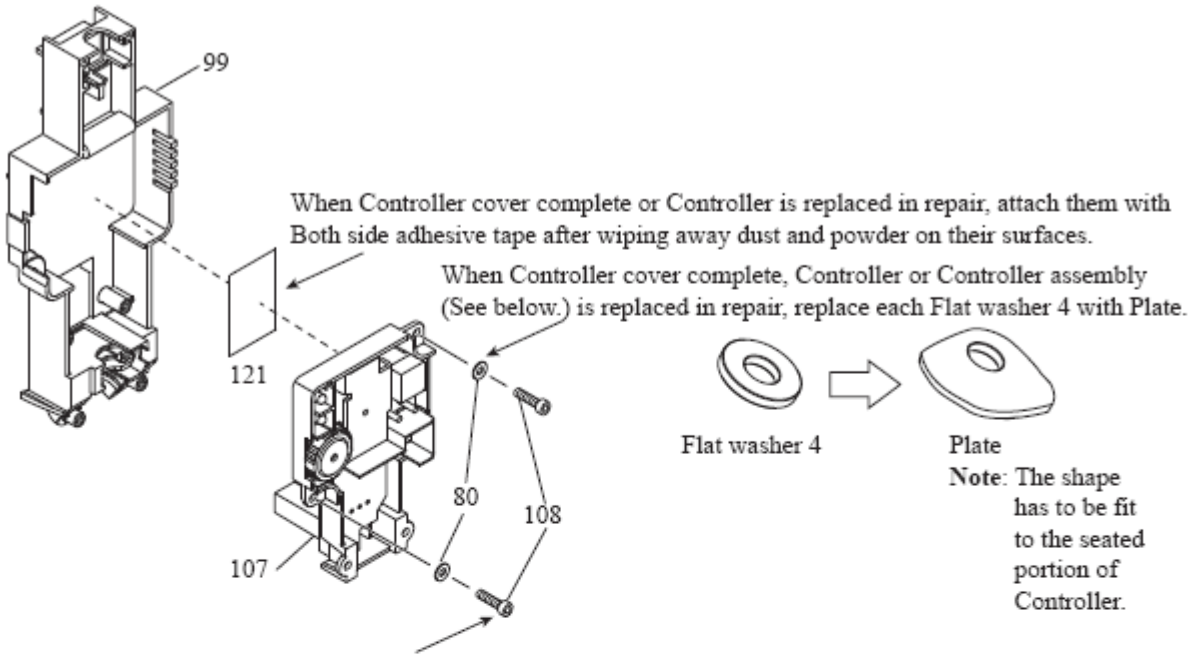
SERVICE CHANGES

1. Changes on Controller

(T/I# 91793)

Item No.	Description	Type 1	Type 2	Remark
80	Flat washer / Plate	941051-3 (Flat washer)	346546-5 (Plate)	---
108	H.S.H Bolt	265490-6 (Torque 1-2N.m)	265490-6 (Torque 1-1.2N.m)	---
122	Controller Assy	----	126091-4	---
99	Controller Cover Com.		158986-3	Type2-Component of Controller Assy
107	Controller		631919-8	Type2-Component of Controller Assy
102	Tapping Screw		265995-6	Type2-Component of Controller Assy
121	Adhesive Tape	-----	442180-0	Type2-Component of Controller Assy

Item No. 80, 108 and 122 are completely interchangeable as a set.



Fastening torque of M4x16 Hex. socket head bolt (Part No. 265490-6 thread locker type) has been changed from 1 up to 2N.m to 1 up to 1.2N.m.
 Too overtightening of the bolt causes the damage to Controller of plastic, therefore follow the fastening torque.
 Once loosening the bolt, be sure to use the new makita genuine bolt 265490-6 or put ThreeBond 1342/ Loctite 242 on the thread then tighten the bolt.

For easier repairing, Controller assembly (#126091-4) has become available.

- Components:
- 158986-3 Controller cover complete
 - 631919-8 Controller
 - 442180-0 Both side adhesive tape
 - 265995-6 4x18 Tapping screw (2pc)

